

> **Features**

- Compact design
- Low axial ratio for optimum performance
- Read range\*: up to 12 m (\* depending on tag properties, environment and requirements)
- Optimized for portal applications
- Suitable for use in industrial environments
- High IP65 degree of protection, suitable for outdoor use



> **General specifications**

Order No.		52010078	52010079
Type		WIRA-70-circular-ETSI	WIRA-70-circular-FCC
Frequency range	[MHz]	865-868	902-928
©KRAI			-
Polarization		circular	circular
Antenna gain	[dBiC]	typ. 8.5 (at 866 MHz)	typ. 8.3 (at 915 MHz)
Axial ratio	[dB]	typ. 1	
VSWR		typ. 1.2:1	
Front-to-back ratio	[dB]	> 18	
Impedance antennaport	[Ohm]	50	
Max. input power	[dBm]	-	+30 (at antenna port) (FCC15.247)
Max. radiated power	[dBm]	+33 e.r.p. (ETSI EN 302 208)	+36 EIRP (FCC15.247)
Far field half-power beam width (if mounted like picture)	[°]	69	
Connection		TNC female	
Weight	[kg]	1.7	
Degree of protection		IP65	
Operating temperature range	[°C]	-20 to +55	
Storage temperature range	[°C]	-40 to +85	
Dimensions (L x W x H)	[mm]	271 x 271 x 45	
Packing size (L x W x H)	[mm]	approx. 300 x 300 x 150	
Material			
Antenna cover		tough, weather-resistant polymer blend, colour: RAL7045	
Chassis		aluminium	
Patch plate		brass tin-plated	
Seals		thermoplastic elastomer	

> **Remarks**

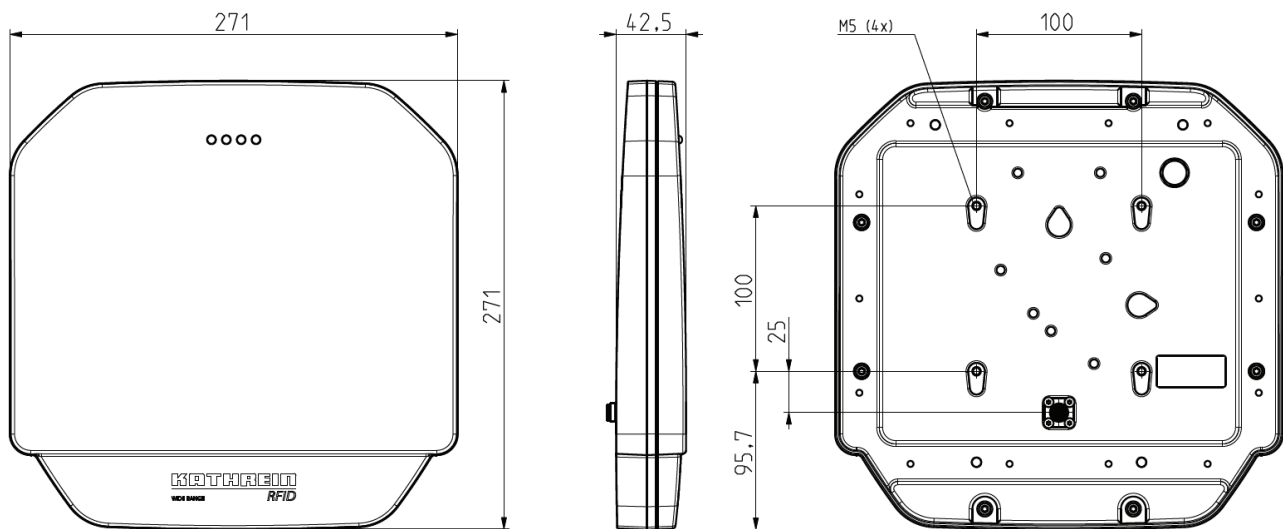
**Mounting options**

- Four M5 drill holes at intervals of 100 x 100 mm

**Accessories optional**

- All accessories can be found at: <https://http://www.kathrein-solutions.com/products/hardware/accessories>

➤ **Dimensions [mm]**



**Description**

For classic far field applications with large reading distances, the Wide Range Antennas (WIRA) are the optimal choice: they are characterised by a very low axial ratio for circular polarization, whereby the dependence of reading results upon the position or a lignment of tags is significantly reduced. For this reason they are also the ideal solution for portal applications in addition to many other application possibilities.

**Key Application**

- Gate applications for goods registration
- Logistics
- Vehicle registration
- Bulk and single tag applications